

Typical floor finishes

Ceramic tiles, marble, terrazzo, concrete, resin, wood and all hard floors.

Performance

Up to 5 tonne pneumatic tyre wheel load (cars and light delivery vehicles).

Options

Double Seal. 3 hour fire rating to BS 476: Part 20: 1987 available; ask for indicative test report. Under side release hatch.



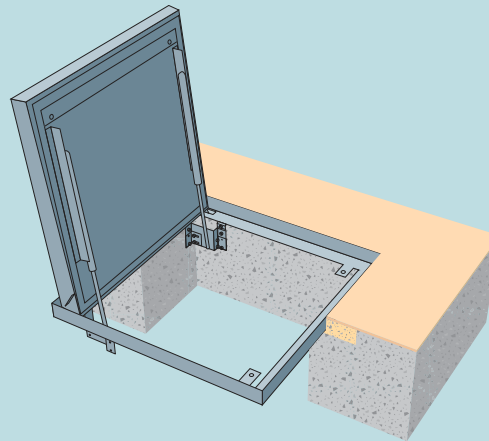
Hard floor finishes



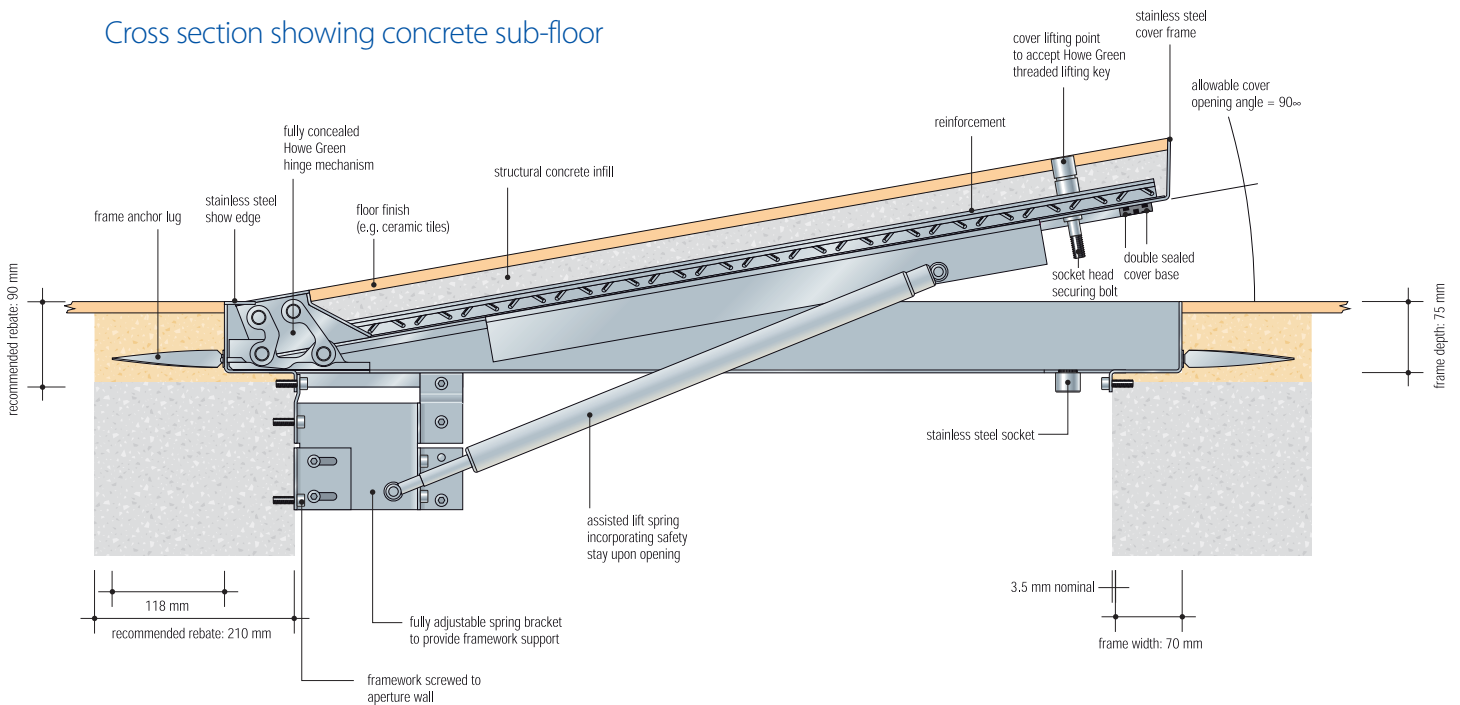
Single and Duct covers



Cars and light delivery vehicles



Cross section showing concrete sub-floor



Typical specification clause for HSE 75 series

Recessed floor access hatch shall be Howe Green Ltd HSE 75 series, with fire rating to BS 476: Part 20: 1987*, aluminium/stainless steel show edge*, hatch to be fitted with concealed multi-link hinges, gas springs, galvanised base plate, reinforcement and double seal, top and underside release/top release only*.

Sizes shall be as shown on contract drawings nos ...†

Covers to be supplied complete with ...† sets of combined lifting/securing keys. All to be manufactured and supplied by Howe Green Ltd, Marsh Lane, Ware, Hertfordshire, SG12 9QQ, Great Britain, and installed in accordance with the manufacturer's installation details and sitework guide.

* Delete as appropriate. † Insert appropriate numbers & quantities

Size

Overall frame size = clear opening + 147 mm e.g. 600 mm clear opening = 747 mm overall frame width.

Weight

A HSE 75 series access hatch when filled and installed correctly will require a maximum force of 20 kg to open.

See installation guide on page 28.

Maximum / minimum sizes

