

# Acoustic Line fire protection access panel



F5 BSA - EI60 System for plasterboard walls, facing shells, solid walls

EI60

Acoustic Line  
Fire protection



Tested in accordance with EN ISO 10140-2:2010  
(Measurement of airborne sound insulation)  
**in accordance with EN 13501-2**  
(Classification from fire-resistance tests)  
**in accordance with DIN EN 12207** (Air permeability classification - windows and doors)

## Product description:

The invisible access panel offers flush installation and is made of aluminium profiles with GKF 30 mm (EI60) plasterboard inlay. The inner cover is fitted with a special acoustic structure on the back and can be easily removed. The access panel is equipped with a safety catch. To avoid possible accidents, this must be re-hung after each opening of the door leaf. The access panel can be used in the wall area without any problems. There is an air gap of 2.5 mm between the frame and the door leaf, in which 2 special seals are fitted. These protect against increased airborne sound and ensure an airtight seal as well as the fire protection property of the access opening. The concealed snap locks open the access panel when pressed.



Our ACOUSTICS LINE F5 BSA - EI60 System meets sound insulation requirements of up to 42 dB

## Possible applications:

Flush installation in plasterboard walls with fire protection requirement and increased sound insulation requirement according to EN ISO 10140-2:2010.  
Proof of 'air- and dust-tightness' in accordance with DIN EN 12207.

- In shaft/installation walls of fire resistance class EI60 with increased sound insulation requirement

## Dimensions:

The Acoustic Line (F5 System) access panel is available in the following standard dimensions:

F5 BSA - EI60 System	Dimensions in mm	
	A	B
<b>BSA200200G300</b>	200	200
<b>BSA300300G300</b>	300	300
<b>BSA400400G300</b>	400	400
<b>BSA500500G300</b>	500	500
<b>BSA600600G300</b>	600	600

Tested size up to 800 mm x 800 mm

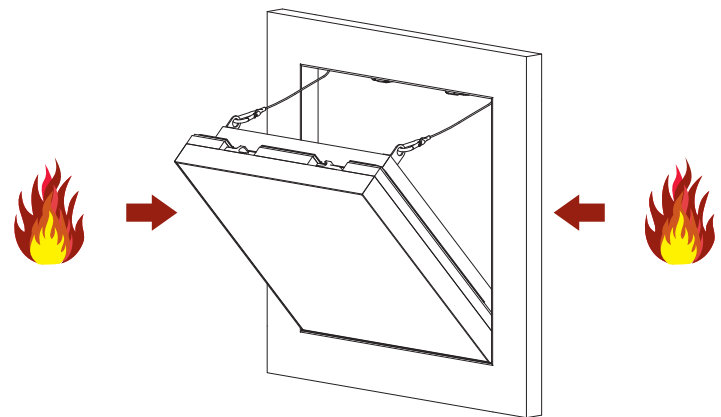
## Special designs:

Special dimensions in any desired size can be manufactured on request.

## Locks:

The access panel can be designed with the following lock types:

- FS** Square lock with white rosette (standard)
- Z** Round cylinder lever lock with key
- PZ** Profile cylinder lock with metal rosette



## Special advantages of our system

- Inexpensive solution
- Short-term delivery possible
- Quick, trouble-free installation
- Technically mature solution
- Flush installation in plasterboard and solid walls
- Invisible access panel
- High airborne sound insulation value
- Door leaf can be removed